

Standard Full Nut

Thread Type: BSW - Coarse

Thread Direction: Right Hand

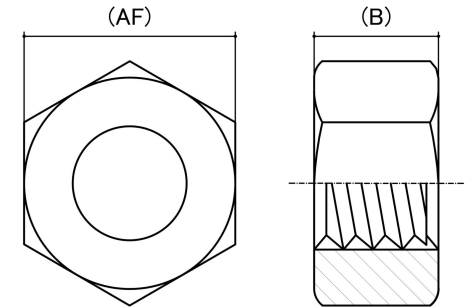
Material: Carbon Steel

Class Grade: Low Tensile Grade 2

Finish: Galvanised

Corrosion Protection Level: Excellent

Standard: AS 2451



*CAD drawings shown for graphic representation only.**

Size	Thread Pitch (TPI)	Thread Type	Overall Nut Height (B) (mm)		Across Flats (AF) (mm)		Spanner Size (AF) (inches)	sku (qfind)
			Min	Max	Min	Max		
3/16" (#10-24)	24	Coarse	2.93	3.31	9.20	9.53	23/64	41W316
1/4"	20	Coarse	4.57	5.08	11.05	11.30	7/16	41W14
5/16"	18	Coarse	5.84	6.35	13.08	13.33	9/16	41W516
3/8"	16	Coarse	7.42	7.93	14.86	15.24	5/8	41W38
1/2"	12	Coarse	10.59	11.10	20.32	20.83	7/8	41W12
1/2"	12	Coarse	10.59	11.10	20.32	20.83	7/8	41W12G
5/8"	11	Coarse	13.77	14.27	25.02	25.66	15/16	41W58
5/8"	11	Coarse	13.77	14.27	25.02	25.66	15/16	41W58G
3/4"	10	Coarse	17.20	17.45	29.85	30.48	1-1/8	41W34
3/4"	10	Coarse	17.20	17.45	29.85	30.48	1-1/8	41W34G
1"	8	Coarse	21.11	22.53	36.83	37.60	1-1/2	41W1
1-1/4"	7	Coarse	28.14	28.58	46.11	47.25	1-7/8	41W114G

Disclaimer:

Dimensional data and technical information was obtained from publically available sources and not acquired through standard agencies. It has been completed and compiled for reference purposes only; where discrepancies are found they are subject to change without notice. Bolt & Nut Australia makes no warranties or representations regarding the accuracy and validity of the compiled information and data. Contact the relevant standard authorities for accurate and detailed information.

* CAD drawings may not reflect diameter, thread length or overall length.

